

Project item
Please contact our technical support
+1 508 485 2244
<https://www.novotechnik.com/salessupport.php>

NOVOHALL
Rotary Sensor
Touchless

RFC-4800
SSI

Industrial



Special Features

- Touchless hall technology
- Electrical range 360°
- 2 part design, mechanically decoupled
- Wear-free
- High protection class IP67, IP68, IP69
- Resolution 12 bits
- Temperature range -40 °C to +85 °C
- For high rotational speeds up to 30,000 rpm
- Other configurations see separate data sheets

Applications

- Manufacturing Engineering (textile machinery, packaging machinery, sheet metal and wire machinery)
- Automation technology
- Medical Engineering

The 2 part design consisting of sensor and magnetic position marker offers great flexibility when mounting. The absence of shaft and bearing makes the assembly much less sensitive to axial and radial application tolerances - separate couplings are obsolete. Measurements can be made transmissively through any non-ferromagnetic material. The sensor is perfectly suitable for use in harsh environmental conditions through the completely encapsulated electronics.

Description

Material	Housing: high grade, temperature resistant plastic
Mounting	With 2 pan head screws M4x20 (included in delivery)
Fastening torque of mounting	250 Ncm
Electrical connection	Connector M12x1, A-coded with cable L = 0.15 m / Cable 4x 2x 0.25 mm ² (AWG 24), TPE, shielded

Mechanical Data

Dimensions	See dimension drawing
Mechanical travel	continuous
Weight (w/o connection)	approx. 50 g

Ordering Specifications

Ordering Specifications

Preferred types printed in bold

- Delivery time up to 25 pcs. within 10 working days EXW
- Best low-volume pricing

Interface

4: Synchronous-Serial Interface (SSI)

Interface parameters

- 11: Ub = 5 VDC, rising output characteristic cw**
- 12: Ub = 5 VDC, rising output characteristic ccw
- 41: Ub = 24 VDC, rising output characteristic cw**
- 42: Ub = 24 VDC, rising output characteristic ccw

Electrical connection

- 432: Cable, 8-pole, shielded, L = 1 m**
 - 436: Cable, 8-pole, shielded, L = 3 m**
 - 440: Cable, 8-pole, shielded, L = 5 m
 - 450: Cable, 8-pole, shielded, L = 10 m
 - 531: Connector M12x1, 8-pin, with cable, shielded, L = 0.15 m**
- Cable versions and assembled connectors on request

R F C - **4 8 0 2** - **2 1 2** - **4 4 1** - **4 3 2**

Series

Mechanical version

- 4801: Elongated hole mounting
- 4802: Round hole mounting**

Resolution

- 12: 12 bits**
- Other resolutions on request

Interface

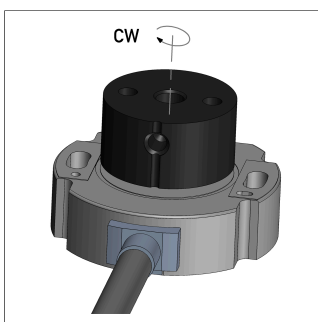
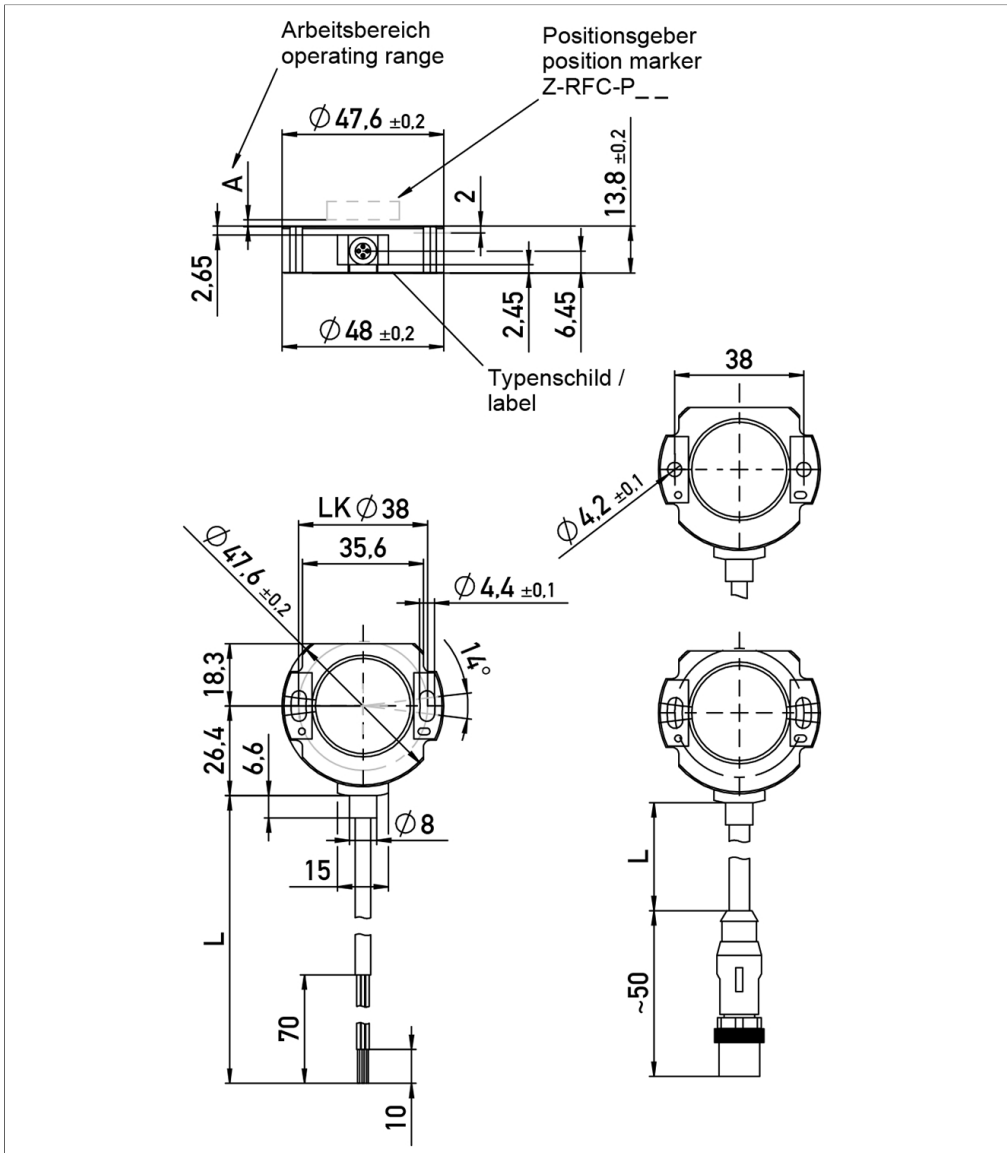
2: Digital Interface

Accessories included in delivery

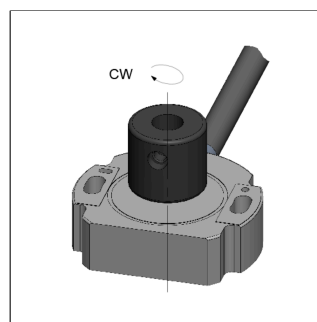
- 2x Pan head screws M4x20

Drawing

CAD data see
www.novotechnik.de/en/download/cad-data/



When the marking of the position marker is pointing towards the cable, the sensor output is near the electrical center position (index position).



Only Z-RFC-P23:
When the marking of the position marker is pointing away from the cable, the sensor output is near the electrical center position (index position).

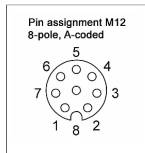
Technical Data

Type	RFC-48_-2_-41_-_-_-	RFC-48_-2_-44_-_-_-
	Supply voltage 5 VDC	Supply voltage 24 VDC
Measuring range	360°	
Protocol	SSI 13 bits (12 bits data + 1 stop bit)	
Coding	Gray	
Inputs	RS-422 compatible, CLK lines via optocoupler galvanically isolated	
Monoflop time (tm)	16 µs	
Update rate (internal)	2 000 kHz	
Resolution	12 bits	
Max. operational speed position marker	30 000 rpm, higher speeds on request	
Independent linearity	typ. ±0.5 %FS	
Repeatability	≤ ±0.2°	
Hysteresis	≤ ±0.7°, lower hysteresis on request	
Temperature error	±0.375 %FS	
Supply voltage Ub	5 VDC (4.5 ... 5.5 VDC)	24 VDC (18 ... 30 VDC)
Current consumption w/o load	typ. 27 mA	typ. 10 mA
Polarity protection	yes (supply lines)	
Short circuit protection	yes (all outputs vs. GND and supply voltage)	yes (all outputs vs. GND)
Ohmic load at outputs	≥ 120 Ω	
Max. clock rate	1 MHz	
Insulation resistance (500 VDC)	≥ 10 MΩ	
Environmental Data		
Max. operational speed	Mechanically unlimited	
Vibration IEC 60068-2-6	20 g, 5 ... 2000 Hz, Amax = 0.75 mm	
Shock IEC 60068-2-27	50 g, 6 ms	
Protection class DIN EN 60529	IP67 (connector M12), IP67 / IP68 / IP69	
Operating temperature	-25 ... +85°C (connector M12), -40 ... +85°C	
Life	Mechanically unlimited	
Functional safety	If you need assistance in using our products in safety-related systems, please contact us	
MTTF (IEC 60050)	1476 years	1111 years
Traceability	Serial number on type labeling; production batch of the sensor assembly and relevant sensor components	
Conformity/Approval	CE, UKCA see https://www.novotechnik.de/en/downloads/certificates/declarations-of-conformity-eu/uk WEEE see https://www.novotechnik.de/en/downloads/certificates/eu-directive-weee/	
EMC Compatibility		
EN 61000-4-2 ESD (contact/air discharge)	4 kV, 8 kV	
EN 61000-4-3 Electromagnetic fields (RFI)	10 V/m	
EN 61000-4-4 Fast transients (burst)	1 kV	
EN 61000-4-6 Cond. disturbances (HF fields)	10 V eff.	
EN 61000-4-8 Magnetic fields	30 A/m	
EN 55016-2-3 Radiated disturbances	Industrial and residential area	

FS = Full scale: Signal span according to electrical measuring range

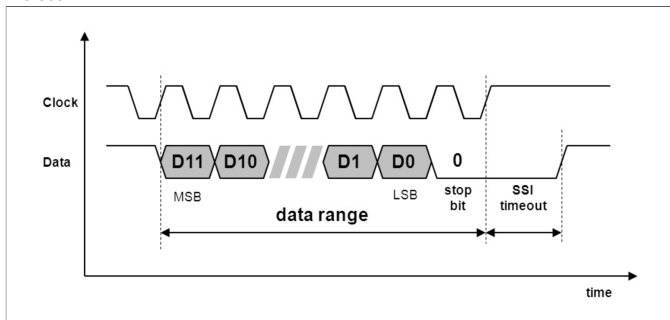
Connection Assignment

Signal	Connector code 5_ _	Cable code 4_ _
Supply voltage Ub	Pin 1	WH
GND	Pin 2	BN
CLK -	Pin 3	GN
CLK +	Pin 4	YE
Data -	Pin 5	GY
Data +	Pin 6	PK
Not assigned	Pin 7	BU
Not assigned	Pin 8	RD

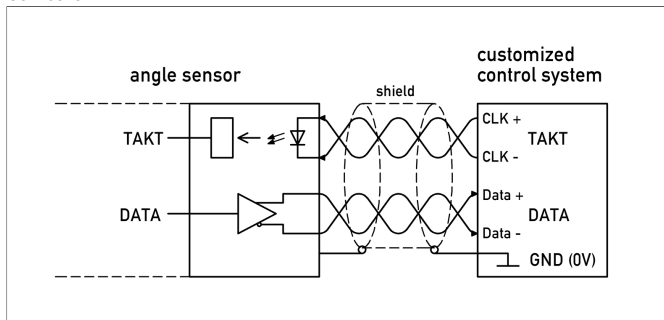


Technical Data Output Characteristics

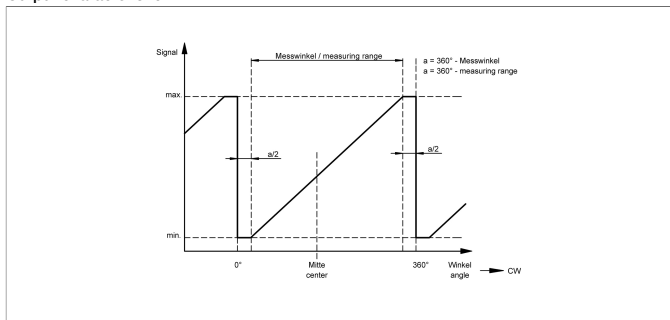
Protocol



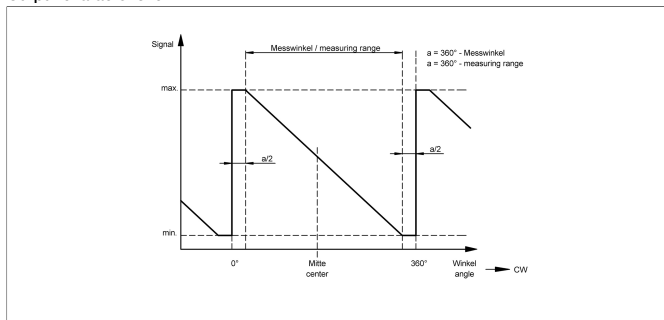
Connection



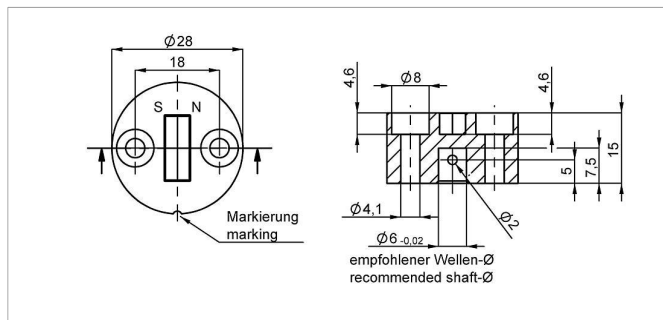
Output characteristic



Output characteristic



Position Markers

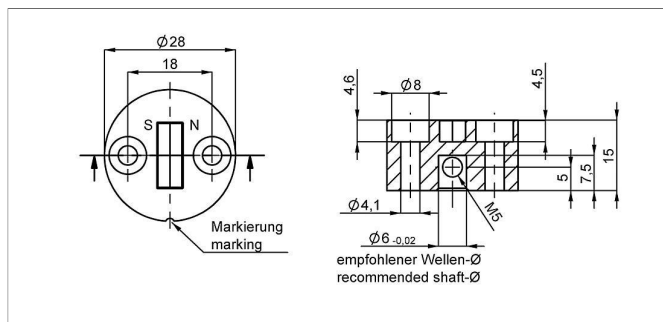


Z-RFC-P02

Position marker for frontal fixation with 2 cylinder head screws M4x20 (with screw lock) or with locking pin (both included in delivery).

Material PF
Max. permitted ± 3 mm
radial offset
Operating temp. $-40 \dots +125^\circ\text{C}$

P/N	Pack. unit [pcs]
40005661	1
400056080	25

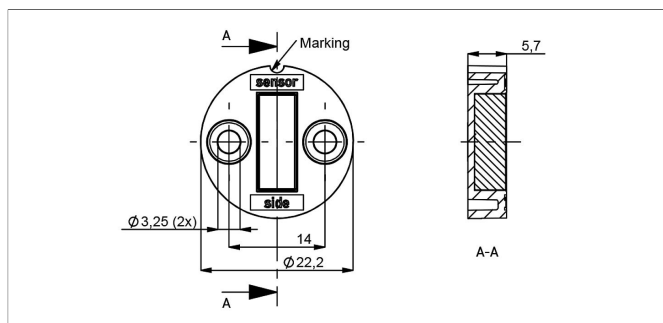


Z-RFC-P08

Position marker for fixation with threaded pin M5 (included in delivery).

Material PF
Max. permitted ± 3 mm
radial offset
Operating temp. $-40 \dots +125^\circ\text{C}$

P/N	Pack. unit [pcs]
400056070	1
400056084	25

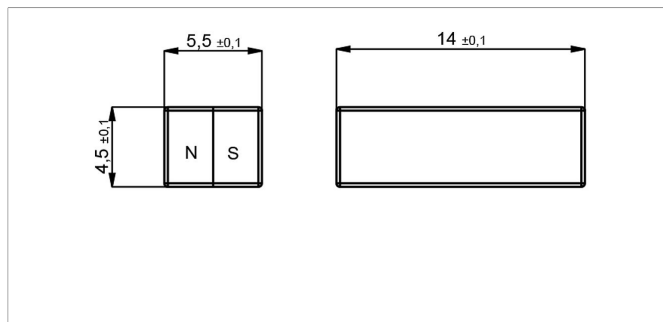


Z-RFC-P31

Position marker for frontal fixation with 2 cylinder screws M3x8 (included in delivery).

Material PBT-GF
Max. permitted ± 3 mm
radial offset
Operating temp. $-40 \dots +125^\circ\text{C}$

P/N	Pack. unit [pcs]
400056088	1
400056089	25



Z-RFC-P04

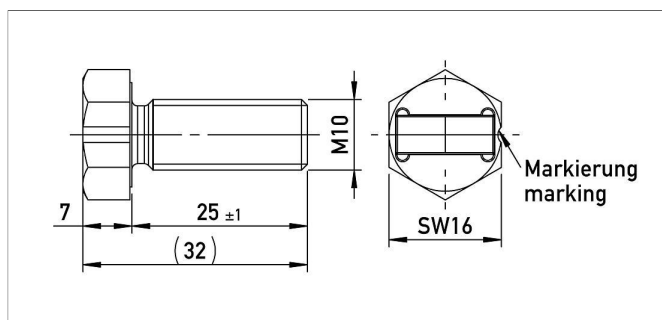
Magnet for direct application onto customer's shaft (see user manual).

We recommend mounting on non-magnetizable materials, otherwise the specified working distances will vary (e.g. reduction of approx. 20% with axial mounting on a magnetizable shaft).

Max. permitted ± 3 mm
radial offset
Operating temp. $-40 \dots +125^\circ\text{C}$

P/N	Pack. unit [pcs]
40005669	1
400056082	50

Position Markers



Z-RFC-P20

Screw position marker M10 x 25 mm, similar DIN 933

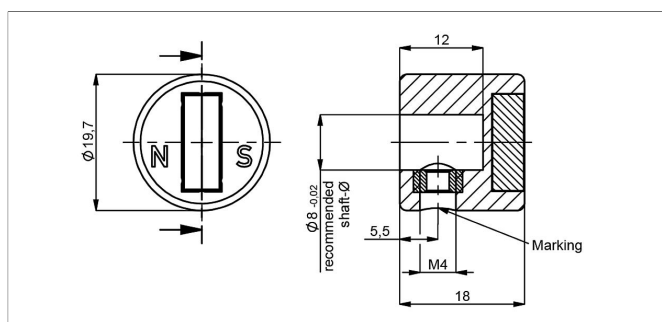
Material Aluminium, anodized

Max. permitted ± 3 mm

radial offset

Operating temp. $-40 \dots +125^\circ\text{C}$

P/N	Pack. unit [pcs]
400104758	1
400104759	25



Z-RFC-P23

Position marker for fixation with threaded pin M4 (included in delivery)

Caution: For orientation of the output characteristic please follow the user manual of the position marker!

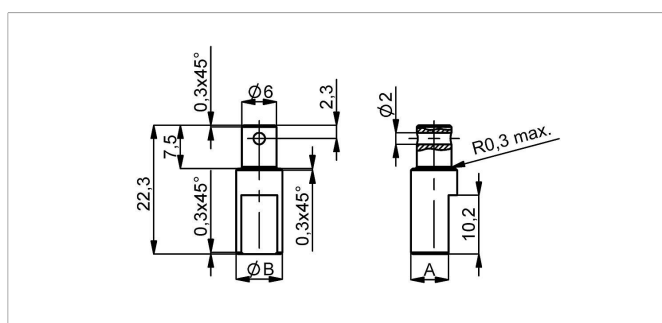
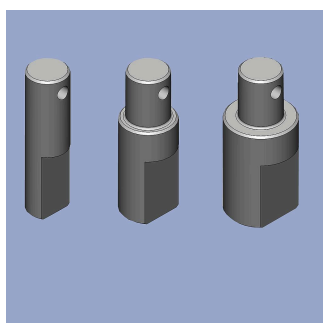
Material PA6-GF

Max. permitted ± 3 mm

radial offset

Operating temp. $-40 \dots +125^\circ\text{C}$

P/N	Pack. unit [pcs]
400056074	1
400056085	25



Z-RFC-S01/S02/S03

Shaft adapter for fixation at position marker Z-RFC-P02/P41 with locking pin

Material SS 1.4305 / AISI 303

P/N	Type	ØB / A [mm]
400056206	Z-RFC-S01	6 / 4.5
400056207	Z-RFC-S02	8 / 6.5
400056208	Z-RFC-S03	10 / 8.5

Position Markers

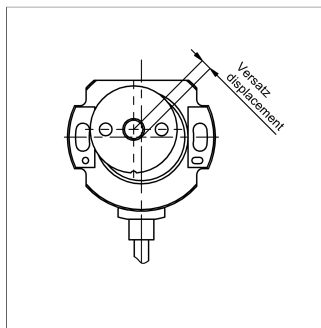
Working Distances Position Markers [mm] - Single-channel Versions

Z-RFC-P02 / P04 / P08

Z-RFC-P20 / P23 / P31

0 ... 1.4

Lateral Magnet Offset



Lateral magnet offset will cause additional linearity error. The angle error, which is caused by radial displacement of sensor and position marker depends on the used position marker or magnet.

Additional Linearity Error at Radial Displacement - Single-channel Versions

Z-RFC-P02 / P04 / P08

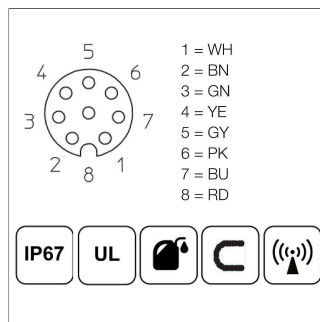
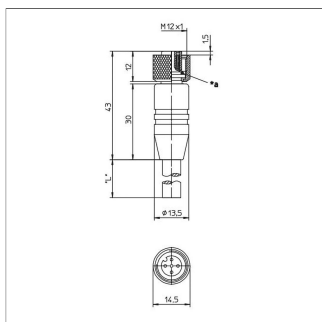
Z-RFC-P20 / P23 / P31

0.5 mm: $\pm 0.4^\circ$

1.0 mm: $\pm 1.1^\circ$

2.0 mm: $\pm 3.5^\circ$

Connector System M12



EEM-33-86/90/92
M12x1 Mating female connector, 8-pin, straight, A-coded, with molded cable, shielded, IP67, open ended

Plug housing PA
Cable sheath PUR, Ø = max. 8 mm, -25 ... +80°C (moved), -50 ... +80°C (fixed)
Lead wires PP, 0.25 mm²

P/N	Type	Length
400005629	EEM-33-86	2 m
400005635	EEM-33-90	5 m
400005637	EEM-33-92	10 m

IP67 Protection class IP67 DIN EN 60529
IP68 Protection class IP68 DIN EN 60529

Very good Electromagnetic Compatibility (EMC) and shield systems
 Very good resistance to oils, coolants and lubricants

C Suited for applications in dragchains
UL UL - approved

CAN-Bus

Novotechnik U.S., Inc.
155 Northboro Road

Southborough, MA 01772
Phone 508 485 2244
Fax 508 485 2430
info@novotechnik.com
www.novotechnik.com



© Apr 13, 2026

The specifications contained in our datasheets are intended solely for informational purposes. The documented specification values are based on ideal operational and environmental conditions and can vary significantly depending on the actual customer application. Using our products at or close to one or more of the specified performance ranges can lead to limitations regarding other performance parameters. It is therefore necessary that the end user verifies relevant performance parameters in the intended application. We reserve the right to change product specifications without notice.